



The KE Performance Level 'c' series of Gefran are pressure transmitters for using in high temperature environment.

The main characteristic of this series is the capability to read temperature of the media up to 538°C (1000°F).

The constructive principle is based on the hydraulic transmission of the pressure.

The fluid-filled system assures the temperature stability NaK (Potassium/Sodium).

The physical measure is transformed in a electrical measure by means of the strain-gauge technology.

### MAIN FEATURES

- Pressure ranges from:  
0-17 to 0-1000 bar / 0-250 to 0-15000 psi
- Accuracy: <math>\pm 0.25\%</math> FSO (H); <math>\pm 0.5\%</math> FSO (M)
- Hydraulic transmission system for pressure signal guarantees stability at working temperature (NaK). Liquid conforming to RoHS Directive. NaK is defined as a safe substance (GRAS)
- Quantity of NaK contained per model: KE0 series (30mm<sup>3</sup>) [0.00183 in<sup>3</sup>], KE1, KE2, KE3 (40mm<sup>3</sup>) [0.00244 in<sup>3</sup>]
- 1/2-20UNF, M18x1.5 standard threads; other types available on request
- Autozero function on board / external option
- Inconel 718 diaphragm with GTP+ coating for temperatures up to 538°C (1000°F)
- 15-5 PH diaphragm with GTP+ coating for temperatures up to 400°C (750°F)
- Hastelloy C276 diaphragm for temperatures up to 300°C (570°F)
- 17-7 PH corrugated diaphragm with GTP+ coating for ranges below 100bar-1500psi up to 400°C (750°F)
- Stem material: 17-4 PH

*GTP+ (advanced protection)*

*Coating with high resistance against corrosion, abrasion and high temperature*

### AUTOZERO FUNCTION

All signal variations in the absence of pressure can be eliminated by using the Autozero function.

This function is activated by closing a magnetic contact located on the transmitter housing.

The procedure is permitted only with pressure at zero.

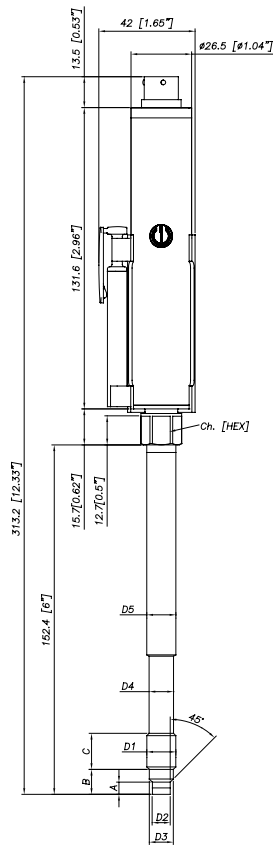
### TECHNICAL SPECIFICATIONS

Accuracy (1)	<b>H</b> <math>\pm 0.25\%</math> FSO (100...1000 bar) <b>M</b> <math>\pm 0.5\%</math> FSO (35...1000 bar)
Resolution	16 bit
Measurement range	0..17 to 0..1000bar 0..250 to 0..15000psi
Maximum overpressure (without degrading performances)	2 x FS 1.5 x FS above 700bar/10000psi
Measurement principle	Extensimetric
Power supply	13...30Vdc
Maximum current absorption	23mA (40mA with relay optional)
Output signal Full Scale (FSO)	20mA
Zero balance (tolerance $\pm 0.25\%$ FSO)	4mA
Response time (10...90% FSO)	8ms
Output noise (RMS 10-400Hz)	<math>< 0.025\%</math> FSO
Calibration signal	80% FSO
Power supply polarity reverse protection	YES
Compensated temperature range housing	0...+85°C
Operating temperature range housing	-30...+85°C
Storage temperature range housing	-40...+125°C
Thermal drift in compensated range: Zero / Calibration / Sensibility	<math>< 0.02\%</math> FSO/°C
Diaphragm maximum temperature	538°C / 1000°F
Zero drift due to change in process temperature (zero)	<math>< 3.5</math> bar/100°C / <math>< 28</math> psi/100°F
Thermocouple (model KE2)	STD : type "J" (isolated junction)
Protection degree (6-pole female connect)	IP65

FSO = Full scale output: (1) BFSL method (Best Fit Straight Line): includes combined effects of Non-Linearity, Hysteresis and Repeatability.

# MECHANICAL DIMENSIONS

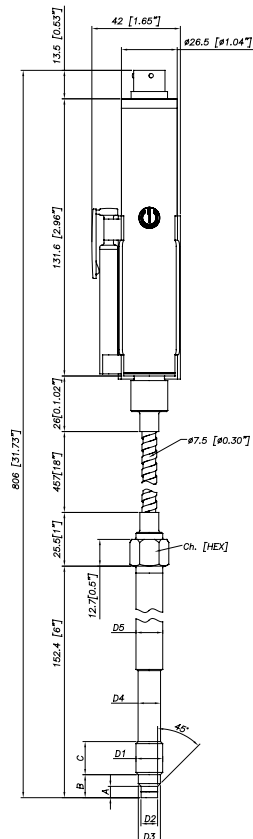
## KE0



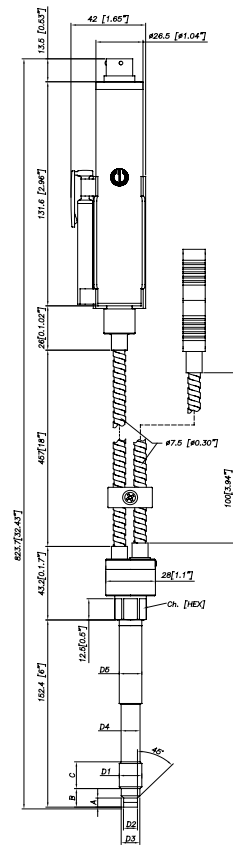
D1	1/2 - 20UNF
D2	ø7.8 -0.05 [ ø0.31" -0.002 ]
D3	ø10.5 -0.025 [ ø0.41" -0.001 ]
D4	ø10.67 [ ø0.42" ]
D5	ø12.7 [ ø0.5" ]
A	5.56 -0.26 [ 0.22" -0.01 ]
B	11.2 [ 0.44" ]
C	15.74 [ 0.62" ]
Ch [Hex]	16 [ 5/8" ]

D1	M18x1.5
D2	ø10 -0.05 [ ø0.394" -0.002 ]
D3	ø16 -0.08 [ ø0.63" -0.003 ]
D4	ø16 -0.4 [ ø0.63" -0.016 ]
D5	ø18 [ ø0.71" ]
A	6 -0.26 [ 0.24" -0.01 ]
B	14.8 -0.4 [ 0.58" -0.016 ]
C	19 [ 0.75" ]
Ch [Hex]	19 [ 3/4" ]

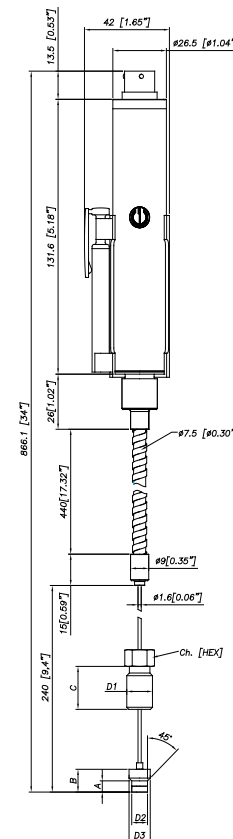
## KE1



## KE2



## KE3



**NOTE :** dimensions refer to rigid stem length option "4" (153 mm – 6")

**WARNING :** For installation use a maximum tightening torque of 56 Nm (500 in-lb)

## SELF DIAGNOSTICS

Below the conditions detected by the sensor self-diagnostics:

- Cut cable / device non connected / broken power supply, output <3.6mA
- Pin detachment, output >21mA
- Pressure above 200% of the span, output >21mA
- Voltage monitor in case of overvoltage/undervoltage/voltage variation in the electronics, output <3.6mA
- Program sequence error, output <3.6mA
- Overtemperature on the electronics, output <3.6mA
- Error on the primary element output or on the first amplification stage, output <3.6mA

## OPTIONAL RELAY OUTPUT FOR EXCESS PRESSURE PROTECTION

Safety relay characteristics:

- Activation threshold to be defined in the order code
- Rated carry current: 1A
- Rated voltage: 24Vdc  $\pm$  20%
- Switch accuracy: 2 x sensor accuracy
- Hysteresis: 2% FSO

SUPPLY	OUTPUT	RELAY STATUS
OFF	-	OPEN
ON	< X%fs	CLOSED
ON	> X%fs	OPEN
ON	output < 3,6mA	OPEN
ON	output > 21mA	OPEN

## NAMUR COMPLIANCE

The sensors are tested according to Namur NE21 recommendations. The same compatibility is valid for the NE43 Namur recommendation with the following sensor behaviour in case of breakdown:

- Cut cable: breakdown information as the signal is <3,6mA
- Device not connected: breakdown information as the signal is <3,6mA
- Broken power-supply: breakdown information as the signal is <3,6mA

or in case of performance problems:

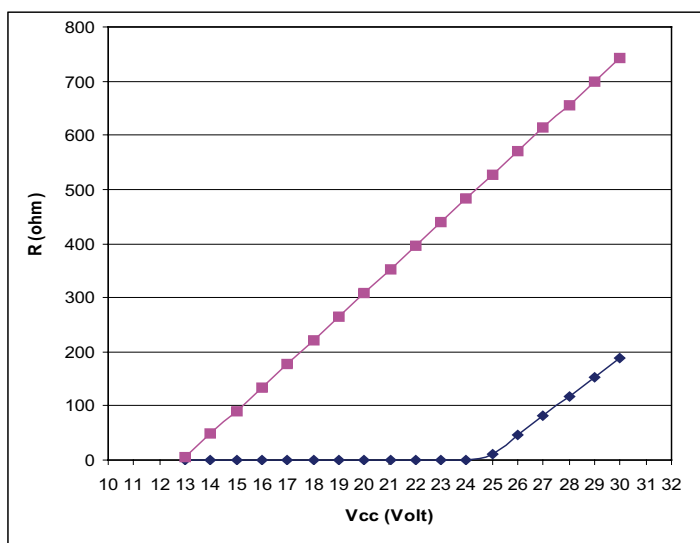
- most common failures on primary sensors: the signal goes to >21mA

Note: in all the remaining situations, the output signal is always included between 3,6 and 21mA.



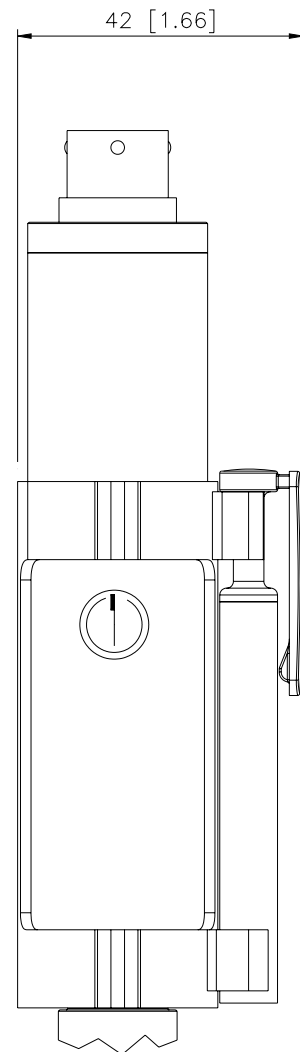
**Recommendation:** the error level set by the customer (e.g. maximum pressure value) has to be inside the nominal range

## LOAD DIAGRAM



The diagram shows the optimum ratio between load and power supply for transmitters with 4...20mA output. For correct function, use a combination of load resistance and voltage that falls within the two lines in the graph above.

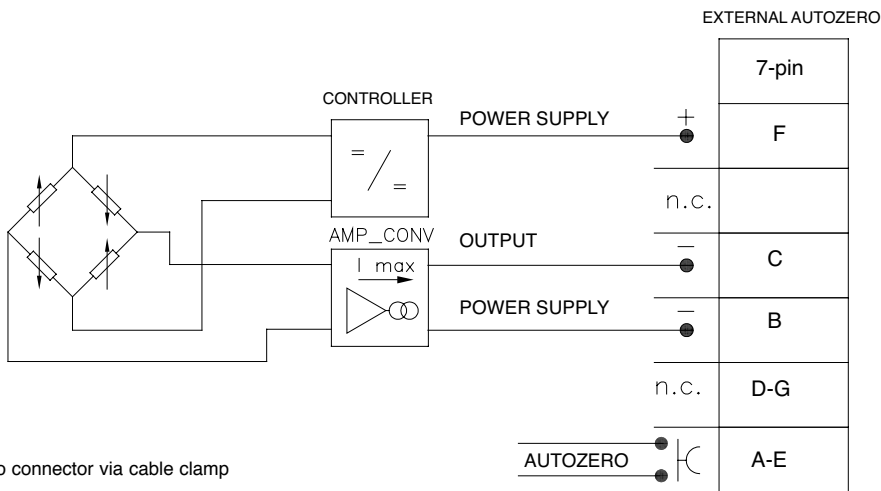
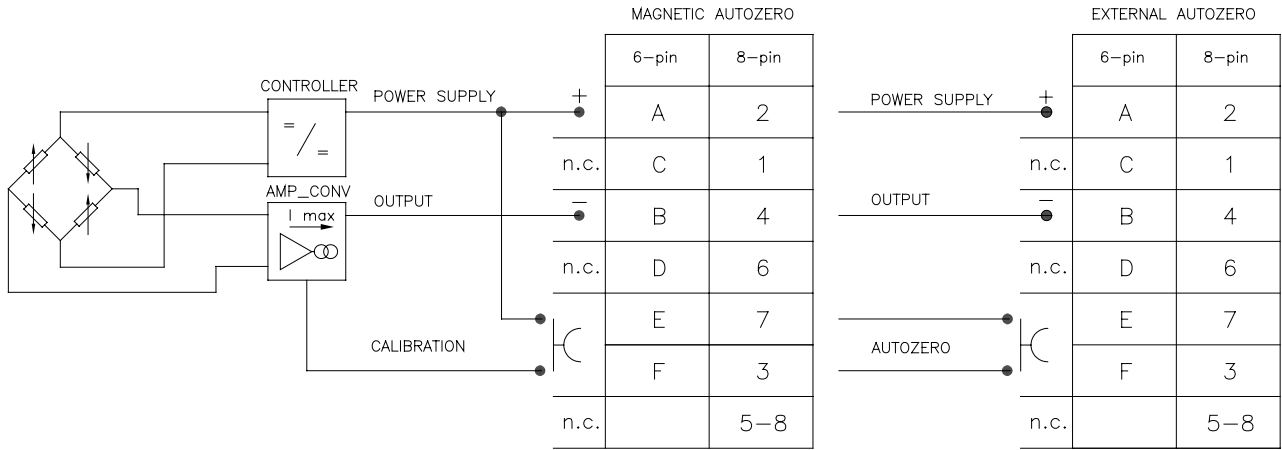
## AUTOZERO FUNCTION



The Autozero function is activated through a magnetic contact (external magnet supplied with the sensor). See the manual for a complete Autozero function explanation.

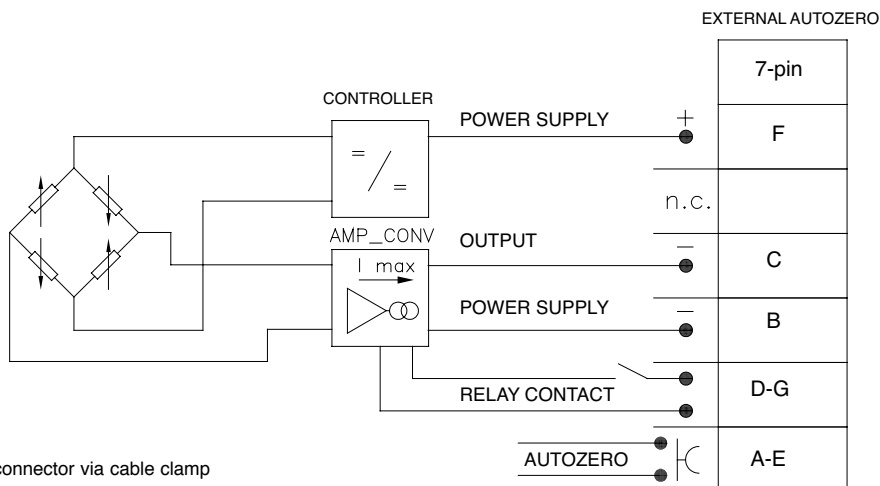
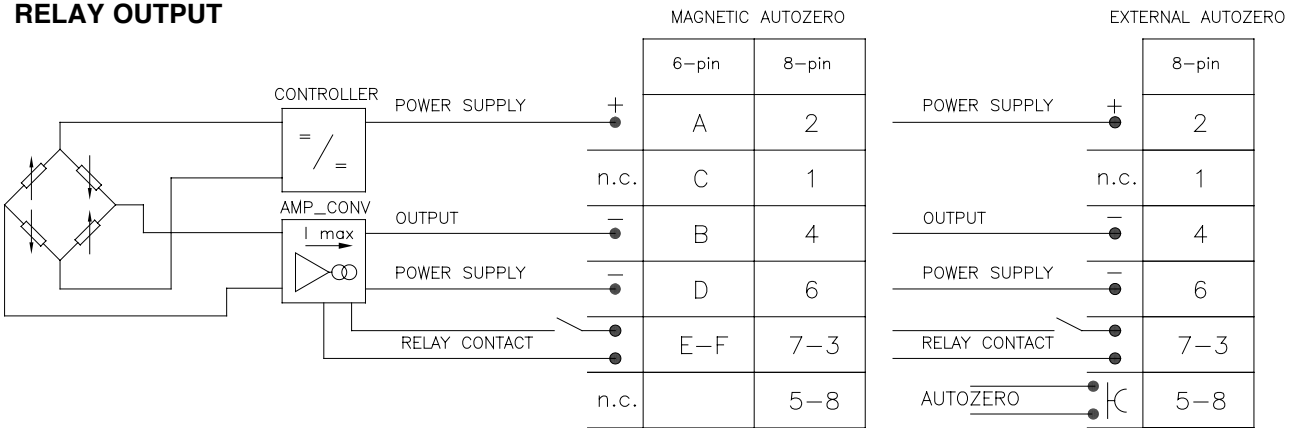
# ELECTRICAL CONNECTIONS

## CURRENT OUTPUT



The cable shield is tied to connector via cable clamp

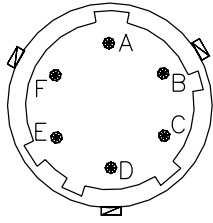
## RELAY OUTPUT



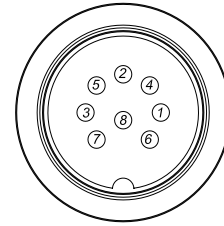
The cable shield is tied to connector via cable clamp

## ELECTRICAL CONNECTIONS

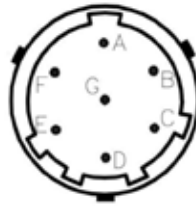
**6 pin connector VPT07RA10-6PT2  
(PT02A-10-6P)**



**8 pin connector (Binder)  
M16 DIN/EN45326 (09-0173-00-08)**



**7 pin connector (AMPHENOL) 62IN-5016-10-7P-4-M**



## ACCESSORIES

### Connectors

6-pin female connector (IP65 protection degree)  
7-pin female connector (IP65 protection degree)  
8-pin female connector (IP65 protection degree)

CON300  
CON345  
CON027

### Extension cables

6-pin connector with 8m (25ft) cable  
6-pin connector with 15m (50ft) cable  
6-pin connector with 25m (75ft) cable  
6-pin connector with 30m (100ft) cable  
  
8-pin connector with 8m (25ft) cable  
8-pin connector with 15m (50ft) cable  
8-pin connector with 25m (75ft) cable  
8-pin connector with 30m (100ft) cable

C08WLS  
C15WLS  
C25WLS  
C30WLS  
  
C08WLS8  
C15WLS8  
C25WLS8  
C30WLS8

### Accessories

Mounting bracket  
Dummy plug for 1/2-20UNF  
Dummy plug for M18x1.5  
Drill kit for 1/2-20UNF  
Drill kit for M18x1.5  
Cleaning kit for 1/2-20UNF  
Cleaning kit for M18x1.5  
Fixing pen clip  
Autozero pen

SF18  
SC12  
SC18  
KF12  
KF18  
CT12  
CT18  
PKIT 379  
PKIT 378

### Thermocouple for KE2 model

Type "J" (153mm - 6" rigid rod)

TTER 601

### Cable color code

Conn.	Wire
A-2	Red
B-4	Black
C-1	White
D-6	Green
E-7	Blue
F-3	Orange
5	Grey
8	Pink

# ORDER CODE

<table border="1"> <tr> <td colspan="2"><b>OUTPUT SIGNAL</b></td> </tr> <tr> <td>4...20mA</td> <td><b>E</b></td> </tr> </table>			<b>OUTPUT SIGNAL</b>		4...20mA	<b>E</b>	<table border="1"> <tr> <td colspan="2"><b>VERSION</b></td> </tr> <tr> <td>Rigid rod</td> <td><b>0</b></td> </tr> <tr> <td>Rigid + flexible rod</td> <td><b>1</b></td> </tr> <tr> <td>With thermocouple</td> <td><b>2</b></td> </tr> <tr> <td>Exposed capillary</td> <td><b>3</b></td> </tr> </table>			<b>VERSION</b>		Rigid rod	<b>0</b>	Rigid + flexible rod	<b>1</b>	With thermocouple	<b>2</b>	Exposed capillary	<b>3</b>	<table border="1"> <tr> <td colspan="2"><b>CONNECTOR</b></td> </tr> <tr> <td>6 pin</td> <td><b>6</b></td> </tr> <tr> <td>7 pin</td> <td><b>7</b></td> </tr> <tr> <td>8 pin</td> <td><b>8</b></td> </tr> </table>			<b>CONNECTOR</b>		6 pin	<b>6</b>	7 pin	<b>7</b>	8 pin	<b>8</b>	<table border="1"> <tr> <td colspan="2"><b>ACCURACY CLASS</b></td> </tr> <tr> <td>0.25% FSO (ranges ≥ 100 bar/1500 psi)</td> <td><b>H</b></td> </tr> <tr> <td>0.5% FSO</td> <td><b>M</b></td> </tr> </table>			<b>ACCURACY CLASS</b>		0.25% FSO (ranges ≥ 100 bar/1500 psi)	<b>H</b>	0.5% FSO	<b>M</b>	<table border="1"> <tr> <td colspan="2"><b>MEASUREMENT RANGE</b></td> </tr> <tr> <td>bar</td> <td></td> <td>psi</td> <td></td> </tr> <tr> <td>17</td> <td><b>B17U</b></td> <td>250</td> <td><b>P25D</b></td> </tr> <tr> <td>35</td> <td><b>B35U</b></td> <td>500</td> <td><b>P05C</b></td> </tr> <tr> <td>50</td> <td><b>B05D</b></td> <td>750</td> <td><b>P75D</b></td> </tr> <tr> <td>70</td> <td><b>B07D</b></td> <td>1000</td> <td><b>P01M</b></td> </tr> <tr> <td>100</td> <td><b>B01C</b></td> <td>1500</td> <td><b>P15C</b></td> </tr> <tr> <td>200</td> <td><b>B02C</b></td> <td>3000</td> <td><b>P03M</b></td> </tr> <tr> <td>350</td> <td><b>B35D</b></td> <td>5000</td> <td><b>P05M</b></td> </tr> <tr> <td>500</td> <td><b>B05C</b></td> <td>7500</td> <td><b>P75C</b></td> </tr> <tr> <td>700</td> <td><b>B07C</b></td> <td>10000</td> <td><b>P10M</b></td> </tr> <tr> <td>1000</td> <td><b>B01M</b></td> <td>15000</td> <td><b>P15M</b></td> </tr> <tr> <td colspan="4">(*) Hastelloy diaphragm not available for pressure range ≤ 70 bar (1000 psi)</td> </tr> </table>			<b>MEASUREMENT RANGE</b>		bar		psi		17	<b>B17U</b>	250	<b>P25D</b>	35	<b>B35U</b>	500	<b>P05C</b>	50	<b>B05D</b>	750	<b>P75D</b>	70	<b>B07D</b>	1000	<b>P01M</b>	100	<b>B01C</b>	1500	<b>P15C</b>	200	<b>B02C</b>	3000	<b>P03M</b>	350	<b>B35D</b>	5000	<b>P05M</b>	500	<b>B05C</b>	7500	<b>P75C</b>	700	<b>B07C</b>	10000	<b>P10M</b>	1000	<b>B01M</b>	15000	<b>P15M</b>	(*) Hastelloy diaphragm not available for pressure range ≤ 70 bar (1000 psi)				<table border="1"> <tr> <td colspan="2"><b>THREADING</b></td> </tr> <tr> <td colspan="2"><b>Standard</b></td> </tr> <tr> <td>1/2 - 20 UNF</td> <td><b>1</b></td> </tr> <tr> <td>M18 x 1.5</td> <td><b>4</b></td> </tr> </table>			<b>THREADING</b>		<b>Standard</b>		1/2 - 20 UNF	<b>1</b>	M18 x 1.5	<b>4</b>	<table border="1"> <tr> <td colspan="2"><b>RIGID ROD LENGTH (*)</b> (mm/inches)</td> </tr> <tr> <td colspan="2"><b>Standard (KE0, KE1, KE2)</b></td> </tr> <tr> <td><b>4</b></td> <td>153mm 6"</td> </tr> <tr> <td><b>5</b></td> <td>318mm 12.5"</td> </tr> <tr> <td colspan="2"><b>Standard (KE3)</b></td> </tr> <tr> <td><b>0</b></td> <td>none</td> </tr> <tr> <td colspan="2"><b>Available on request</b></td> </tr> <tr> <td><b>1</b></td> <td>38mm 1.5"</td> </tr> <tr> <td><b>2</b></td> <td>50mm 2"</td> </tr> <tr> <td><b>3</b></td> <td>76mm 3"</td> </tr> <tr> <td><b>6</b></td> <td>350mm 14"</td> </tr> <tr> <td><b>7</b></td> <td>400mm 16"</td> </tr> <tr> <td><b>8</b></td> <td>456mm 18"</td> </tr> <tr> <td colspan="2">(*) max. combined rigid / flexible stem length is 1000mm - 39"</td> </tr> </table>			<b>RIGID ROD LENGTH (*)</b> (mm/inches)		<b>Standard (KE0, KE1, KE2)</b>		<b>4</b>	153mm 6"	<b>5</b>	318mm 12.5"	<b>Standard (KE3)</b>		<b>0</b>	none	<b>Available on request</b>		<b>1</b>	38mm 1.5"	<b>2</b>	50mm 2"	<b>3</b>	76mm 3"	<b>6</b>	350mm 14"	<b>7</b>	400mm 16"	<b>8</b>	456mm 18"	(*) max. combined rigid / flexible stem length is 1000mm - 39"		<table border="1"> <tr> <td colspan="2"><b>CONTACT DIAPHRAGM</b></td> </tr> <tr> <td><b>I</b></td> <td>INCONEL 718 (538°C*)</td> </tr> <tr> <td><b>S</b></td> <td>15-5 PH (400°C*)</td> </tr> <tr> <td><b>H</b></td> <td>HASTELLOY C276 (300°C*)</td> </tr> <tr> <td colspan="2">(*) max temperature</td> </tr> </table>			<b>CONTACT DIAPHRAGM</b>		<b>I</b>	INCONEL 718 (538°C*)	<b>S</b>	15-5 PH (400°C*)	<b>H</b>	HASTELLOY C276 (300°C*)	(*) max temperature		<table border="1"> <tr> <td colspan="2"><b>FLEXIBLE ROD LENGTH (*)</b> (mm/inches)</td> </tr> <tr> <td colspan="2"><b>Standard (KE0)</b></td> </tr> <tr> <td><b>0</b></td> <td>none</td> </tr> <tr> <td colspan="2"><b>Standard (KE1,KE2)</b></td> </tr> <tr> <td><b>D</b></td> <td>457mm 18"</td> </tr> <tr> <td><b>E</b></td> <td>610mm 24"</td> </tr> <tr> <td><b>F</b></td> <td>760mm 30"</td> </tr> <tr> <td colspan="2"><b>Standard (KE3)</b></td> </tr> <tr> <td><b>L</b></td> <td>711mm 28"</td> </tr> <tr> <td colspan="2"><b>Available on request</b></td> </tr> <tr> <td><b>A</b></td> <td>76mm 3"</td> </tr> <tr> <td><b>B</b></td> <td>152mm 6"</td> </tr> <tr> <td><b>C</b></td> <td>300mm 12"</td> </tr> <tr> <td><b>G</b></td> <td>914mm 36"</td> </tr> <tr> <td><b>H</b></td> <td>1067mm 42"</td> </tr> <tr> <td><b>I</b></td> <td>1220mm 48"</td> </tr> <tr> <td><b>J</b></td> <td>1372mm 54"</td> </tr> <tr> <td><b>K</b></td> <td>1520mm 60"</td> </tr> <tr> <td colspan="2">(*) max. combined rigid / flexible stem length is 1000mm - 39"</td> </tr> </table>			<b>FLEXIBLE ROD LENGTH (*)</b> (mm/inches)		<b>Standard (KE0)</b>		<b>0</b>	none	<b>Standard (KE1,KE2)</b>		<b>D</b>	457mm 18"	<b>E</b>	610mm 24"	<b>F</b>	760mm 30"	<b>Standard (KE3)</b>		<b>L</b>	711mm 28"	<b>Available on request</b>		<b>A</b>	76mm 3"	<b>B</b>	152mm 6"	<b>C</b>	300mm 12"	<b>G</b>	914mm 36"	<b>H</b>	1067mm 42"	<b>I</b>	1220mm 48"	<b>J</b>	1372mm 54"	<b>K</b>	1520mm 60"	(*) max. combined rigid / flexible stem length is 1000mm - 39"		<table border="1"> <tr> <td colspan="2"><b>0000 X 000 X 00</b></td> </tr> <tr> <td colspan="2">Versione con uscita relay (soglia di attivazione): X = no relay B = 80% fs A = 70% fs C = 90% fs</td> </tr> <tr> <td colspan="2">000= Special executions</td> </tr> <tr> <td><b>E</b></td> <td>Autozero esterno (*)</td> </tr> <tr> <td>-</td> <td>Autozero magnetico</td> </tr> <tr> <td colspan="2">(*) as an alternative to the CAL function</td> </tr> <tr> <td><b>P</b></td> <td>Performance Level='c'</td> </tr> </table>			<b>0000 X 000 X 00</b>		Versione con uscita relay (soglia di attivazione): X = no relay B = 80% fs A = 70% fs C = 90% fs		000= Special executions		<b>E</b>	Autozero esterno (*)	-	Autozero magnetico	(*) as an alternative to the CAL function		<b>P</b>	Performance Level='c'
<b>OUTPUT SIGNAL</b>																																																																																																																																																																																																													
4...20mA	<b>E</b>																																																																																																																																																																																																												
<b>VERSION</b>																																																																																																																																																																																																													
Rigid rod	<b>0</b>																																																																																																																																																																																																												
Rigid + flexible rod	<b>1</b>																																																																																																																																																																																																												
With thermocouple	<b>2</b>																																																																																																																																																																																																												
Exposed capillary	<b>3</b>																																																																																																																																																																																																												
<b>CONNECTOR</b>																																																																																																																																																																																																													
6 pin	<b>6</b>																																																																																																																																																																																																												
7 pin	<b>7</b>																																																																																																																																																																																																												
8 pin	<b>8</b>																																																																																																																																																																																																												
<b>ACCURACY CLASS</b>																																																																																																																																																																																																													
0.25% FSO (ranges ≥ 100 bar/1500 psi)	<b>H</b>																																																																																																																																																																																																												
0.5% FSO	<b>M</b>																																																																																																																																																																																																												
<b>MEASUREMENT RANGE</b>																																																																																																																																																																																																													
bar		psi																																																																																																																																																																																																											
17	<b>B17U</b>	250	<b>P25D</b>																																																																																																																																																																																																										
35	<b>B35U</b>	500	<b>P05C</b>																																																																																																																																																																																																										
50	<b>B05D</b>	750	<b>P75D</b>																																																																																																																																																																																																										
70	<b>B07D</b>	1000	<b>P01M</b>																																																																																																																																																																																																										
100	<b>B01C</b>	1500	<b>P15C</b>																																																																																																																																																																																																										
200	<b>B02C</b>	3000	<b>P03M</b>																																																																																																																																																																																																										
350	<b>B35D</b>	5000	<b>P05M</b>																																																																																																																																																																																																										
500	<b>B05C</b>	7500	<b>P75C</b>																																																																																																																																																																																																										
700	<b>B07C</b>	10000	<b>P10M</b>																																																																																																																																																																																																										
1000	<b>B01M</b>	15000	<b>P15M</b>																																																																																																																																																																																																										
(*) Hastelloy diaphragm not available for pressure range ≤ 70 bar (1000 psi)																																																																																																																																																																																																													
<b>THREADING</b>																																																																																																																																																																																																													
<b>Standard</b>																																																																																																																																																																																																													
1/2 - 20 UNF	<b>1</b>																																																																																																																																																																																																												
M18 x 1.5	<b>4</b>																																																																																																																																																																																																												
<b>RIGID ROD LENGTH (*)</b> (mm/inches)																																																																																																																																																																																																													
<b>Standard (KE0, KE1, KE2)</b>																																																																																																																																																																																																													
<b>4</b>	153mm 6"																																																																																																																																																																																																												
<b>5</b>	318mm 12.5"																																																																																																																																																																																																												
<b>Standard (KE3)</b>																																																																																																																																																																																																													
<b>0</b>	none																																																																																																																																																																																																												
<b>Available on request</b>																																																																																																																																																																																																													
<b>1</b>	38mm 1.5"																																																																																																																																																																																																												
<b>2</b>	50mm 2"																																																																																																																																																																																																												
<b>3</b>	76mm 3"																																																																																																																																																																																																												
<b>6</b>	350mm 14"																																																																																																																																																																																																												
<b>7</b>	400mm 16"																																																																																																																																																																																																												
<b>8</b>	456mm 18"																																																																																																																																																																																																												
(*) max. combined rigid / flexible stem length is 1000mm - 39"																																																																																																																																																																																																													
<b>CONTACT DIAPHRAGM</b>																																																																																																																																																																																																													
<b>I</b>	INCONEL 718 (538°C*)																																																																																																																																																																																																												
<b>S</b>	15-5 PH (400°C*)																																																																																																																																																																																																												
<b>H</b>	HASTELLOY C276 (300°C*)																																																																																																																																																																																																												
(*) max temperature																																																																																																																																																																																																													
<b>FLEXIBLE ROD LENGTH (*)</b> (mm/inches)																																																																																																																																																																																																													
<b>Standard (KE0)</b>																																																																																																																																																																																																													
<b>0</b>	none																																																																																																																																																																																																												
<b>Standard (KE1,KE2)</b>																																																																																																																																																																																																													
<b>D</b>	457mm 18"																																																																																																																																																																																																												
<b>E</b>	610mm 24"																																																																																																																																																																																																												
<b>F</b>	760mm 30"																																																																																																																																																																																																												
<b>Standard (KE3)</b>																																																																																																																																																																																																													
<b>L</b>	711mm 28"																																																																																																																																																																																																												
<b>Available on request</b>																																																																																																																																																																																																													
<b>A</b>	76mm 3"																																																																																																																																																																																																												
<b>B</b>	152mm 6"																																																																																																																																																																																																												
<b>C</b>	300mm 12"																																																																																																																																																																																																												
<b>G</b>	914mm 36"																																																																																																																																																																																																												
<b>H</b>	1067mm 42"																																																																																																																																																																																																												
<b>I</b>	1220mm 48"																																																																																																																																																																																																												
<b>J</b>	1372mm 54"																																																																																																																																																																																																												
<b>K</b>	1520mm 60"																																																																																																																																																																																																												
(*) max. combined rigid / flexible stem length is 1000mm - 39"																																																																																																																																																																																																													
<b>0000 X 000 X 00</b>																																																																																																																																																																																																													
Versione con uscita relay (soglia di attivazione): X = no relay B = 80% fs A = 70% fs C = 90% fs																																																																																																																																																																																																													
000= Special executions																																																																																																																																																																																																													
<b>E</b>	Autozero esterno (*)																																																																																																																																																																																																												
-	Autozero magnetico																																																																																																																																																																																																												
(*) as an alternative to the CAL function																																																																																																																																																																																																													
<b>P</b>	Performance Level='c'																																																																																																																																																																																																												

Example

**KE1-6-M-B07C-1-4-D-I-P**

Melt pressure transducer, 4...20mA output, 6-pin connector, 1/2-20 UNF threading, 700 bar pressure range, 0.5% accuracy, 153 mm (6") rigid rod, 457 mm (18") flexible rod; membrane Inconel 718; Performance Level='c'

Sensors are manufactured in compliance with:

- 2004/108/CE EMC directive
- RoHS 2002/95/CE directive
- 2006/42/CE machinery directive

Electrical installation requirements and Conformity certificate are available on our web site: [www.gefran.com](http://www.gefran.com)

GEFRAN reserves the right to make any kind of design or functional modification at any moment without prior notice

**GEFRAN spa**  
 via Sebina, 74  
 25050 PROVAGLIO D'ISEO (BS) - ITALIA  
 tel. 0309888.1 - fax. 0309839063  
 Internet: <http://www.gefran.com>

